



**sterling range**

[www.first4seals.com](http://www.first4seals.com)



**single spring**

**mechanical seal range**

Copyright © 2005 first4seals plc  
DOC / F4S 5018 12/2005

Reference Issue • L - UK - F4SSPRING - 01

first4seals™ is a Trademark of first4seals plc.

first4seals plc recognise all trademarks and trademark names as the property of the owner.

first4seals plc, mount street, bradford, west yorkshire. bd3 9sn united kingdom

Tel: +44 (0) 1274 720775 Fax: +44 (0) 1274 729022

email: [seals@first4seals.com](mailto:seals@first4seals.com) - web: [www.first4seals.com](http://www.first4seals.com)

## TYPE 270 & 278 MECHANICAL SEALS

Type 270 are wave spring 'O' ring mounted seals commonly used in European chemical process industries. Type 278 is a stepped shaft, balanced version, available in a limited size range. Both operate with 'O' ring mounted DIN stationary seats to L1K dimensions.



### Benefits

- Stable operation – Robust construction incorporating non-welded wave spring
- High duty – Shrink fitted faces and balanced version
- Bi-directional – Grub screwed drive on shaft

All metal parts in Stainless Steel as standard

### Service Capability

- Maximum Speed – Type 270 – 20m/sec\*  
Type 278 – 15m/sec\*
- Maximum Pressure – Type 270 – 13 bar\*  
Type 278 – 10 bar\*
- Temperature – Type 270 – -50°C to 180°C  
Type 278 – -40°C to 200°C
- Media – Dependant on materials

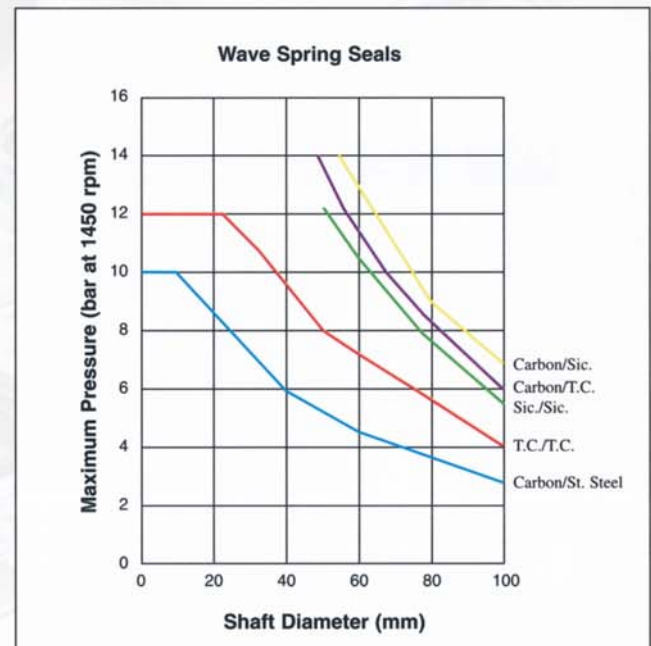
\* See P.V. Curves for maximum speed/pressure combination

### NOTE

P.V. Curves for water at 20°C

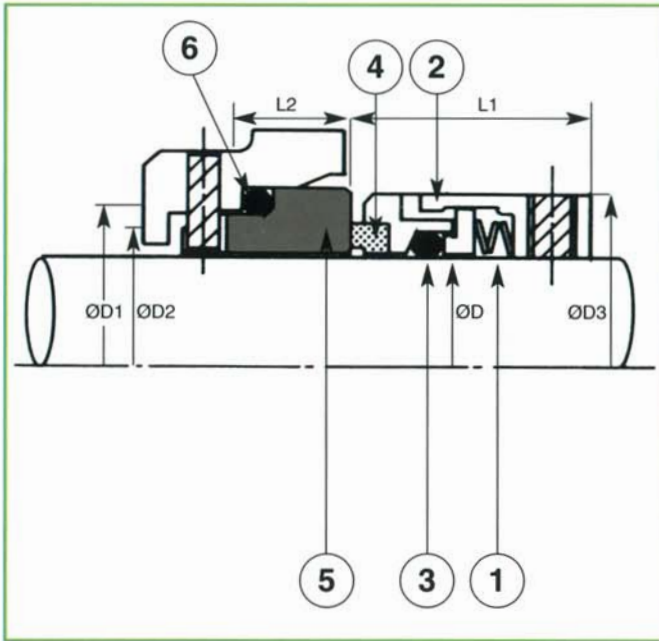
### Materials

- Rotary Face (4) – Carbon, Silicon Carbide
- Stationary Face (5) – Silicon Carbide
- Spring (1) – 316 Stainless Steel
- Metal Parts (2) – 316 Stainless Steel
- Elastomers (3,6) – Nitrile, EP, Viton

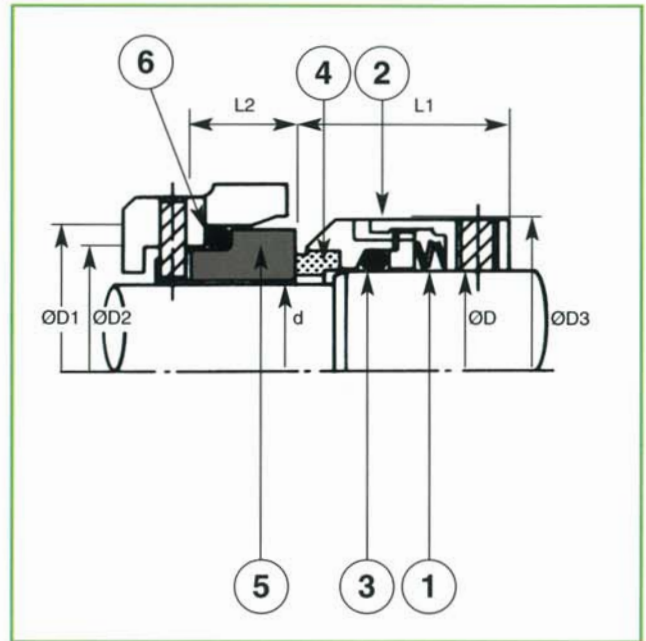


OTHER MATERIALS AVAILABLE TO SPECIAL ORDER

## SEAL TYPE 270



## SEAL TYPE 278



TYPE 270

Metric Shaft Size D	Size Code	D1	D2	D3	L1	L2
14	0140	25.00	21.00	24.00	25.00	10.00
16	0160	27.00	23.00	26.00	25.00	10.00
18	0180	33.00	27.00	32.00	26.00	11.50
20	0200	35.00	29.00	34.00	26.00	11.50
22	0220	37.00	31.00	36.00	26.00	11.50
24	0240	39.00	33.00	38.00	28.50	11.50
25	0250	40.00	34.00	39.00	28.50	11.50
28	0280	43.00	37.00	42.00	31.00	11.50
30	0300	45.00	39.00	44.00	31.00	11.50
32	0320	48.00	42.00	46.00	31.00	11.50
33	0330	48.00	42.00	47.00	31.00	11.50
35	0350	50.00	44.00	49.00	31.00	11.50
38	0380	56.00	49.00	54.00	31.00	14.00
40	0400	58.00	51.00	56.00	31.00	14.00
43	0430	61.00	54.00	59.00	31.00	14.00
45	0450	63.00	56.00	61.00	31.00	14.00
48	0480	66.00	59.00	64.00	31.00	14.00
50	0500	70.00	62.00	66.00	32.50	15.00
53	0530	73.00	65.00	69.00	32.50	15.00
55	0550	75.00	67.00	71.00	32.50	15.00
58	0580	78.00	70.00	78.00	37.50	15.00
60	0600	80.00	72.00	80.00	37.50	15.00
63	0630	83.00	75.00	83.00	37.50	15.00
65	0650	85.00	77.00	85.00	37.50	15.00
68	0680	90.00	81.00	88.00	34.50	18.00
70	0700	92.00	83.00	90.00	42.00	18.00
75	0750	97.00	88.00	99.00	42.00	18.00
80	0800	105.00	95.00	104.00	41.80	18.20
85	0850	110.00	100.00	109.00	41.80	18.20
90	0900	115.00	105.00	114.00	46.80	18.20
95	0950	120.00	110.00	119.00	47.80	17.20
100	1000	125.00	115.00	124.00	47.80	17.20

TYPE 278

Metric Shaft Size D	Size Code	d	D1	D2	D3	L1	L2
18	0180	14	25.0	21.0	32.0	32.5	10.0
20	0200	16	27.0	23.0	34.0	32.5	10.0
22	0220	18	33.0	27.0	36.0	33.5	11.5
24	0240	20	35.0	29.0	38.0	33.5	11.5
28	0280	24	39.0	33.0	42.0	36.0	11.5
30	0300	25	40.0	34.0	44.0	36.0	11.5
33	0300	28	43.0	37.0	47.0	38.5	11.5
35	0350	30	45.0	39.0	49.0	38.5	11.5
38	0380	33	48.0	42.0	54.0	38.5	11.5
40	0400	35	50.0	44.0	56.0	38.5	11.5
43	0430	38	56.0	49.0	59.0	38.5	14.0
45	0450	40	58.0	51.0	61.0	38.5	14.0
50	0500	45	63.0	56.0	66.0	38.5	14.0
53	0530	48	66.0	59.0	69.0	38.5	14.0
55	0550	50	70.0	62.0	71.0	42.5	15.0
60	0600	55	75.0	67.0	80.0	42.5	15.0