



sterling range

www.first4seals.com



single spring

mechanical seal range

Copyright © 2005 first4seals plc
DOC / F4S 5018 12/2005

Reference Issue • L - UK - F4SSPRING - 01

first4seals™ is a Trademark of first4seals plc.

first4seals plc recognise all trademarks and trademark names as the property of the owner.

first4seals plc, mount street, bradford, west yorkshire. bd3 9sn united kingdom

Tel: +44 (0) 1274 720775 Fax: +44 (0) 1274 729022

email: seals@first4seals.com - web: www.first4seals.com

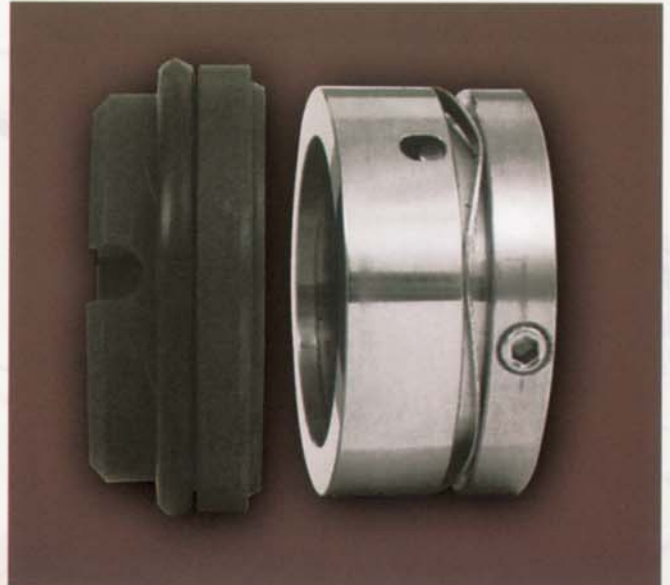
TYPE 280/280L MECHANICAL SEALS

Types 280 & 280L are compact section, short working length wave spring seals, generally used on rotary lobe pumps within food process, dairy and brewery industries.

280



280L



Benefits

- Stable operation – Robust construction
- Bi-directional – Grub screwed drive on shaft
- Long life – Efficient, non-welded wave spring

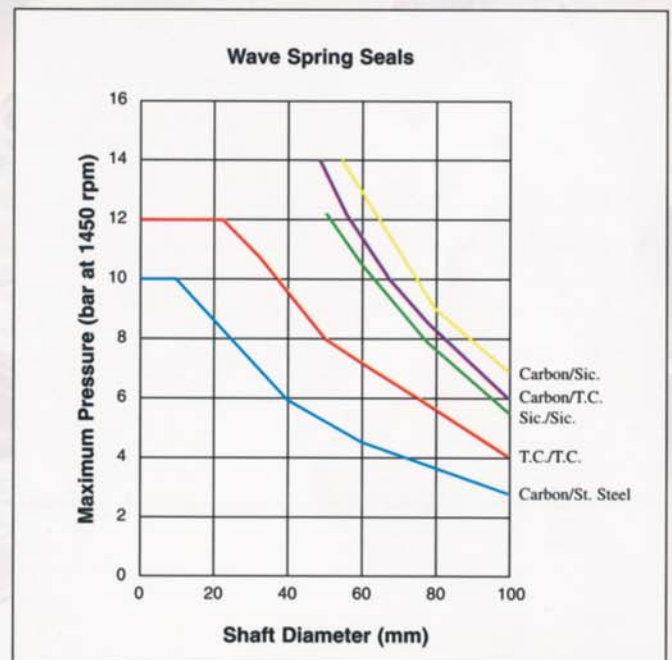
All metal parts in Stainless Steel as standard

Service Capability

- Maximum Speed – 15m/sec*
- Maximum Pressure – 10 bar*
- Temperature – -40°C to +200°C
- Media – Dependant on materials

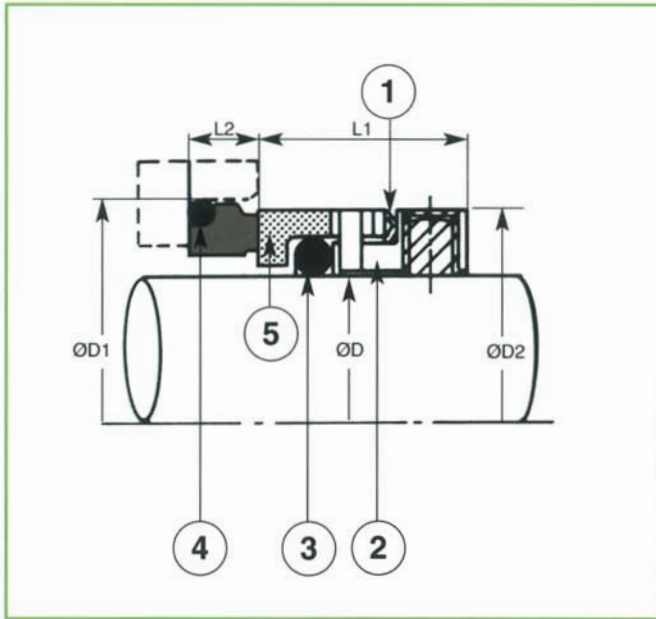
Materials

- Rotary Face (5) – Stainless Steel, Tungsten Carbide
- Stationary Face (6) – Carbon, Silicon, Tungsten Carbide
- Spring (1) – 316 Stainless Steel
- Metal Parts (2) – 304 Stainless Steel
- Elastomers (3, 4) – Nitrile, EP, Viton

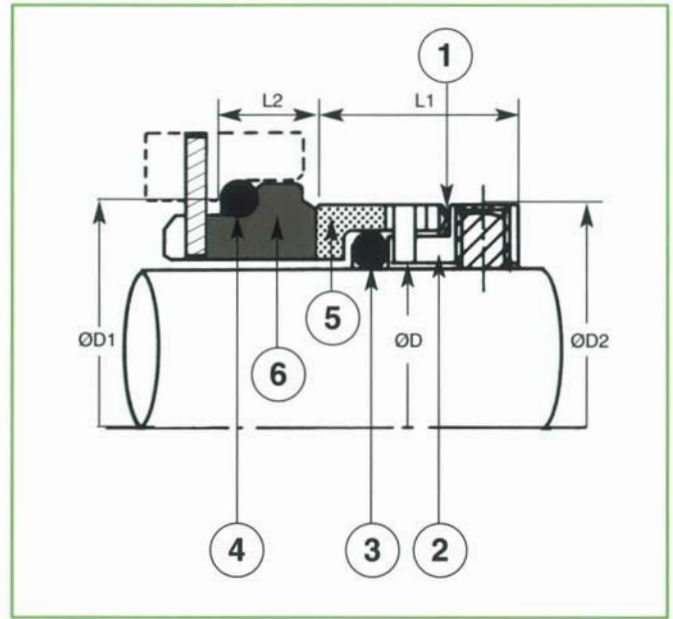


OTHER MATERIALS AVAILABLE TO SPECIAL ORDER

SEAL TYPE 280



SEAL TYPE 280L



TYPE 280

Inch Shaft Size D	Size Code	Metric Shaft Size D	Size Code	D1	D2	L1	L2
0.625	0158	16	0160	28.50	27.00	19.10	6.30
0.750	0191			31.70	30.00	19.10	6.30
		24	0240	35.40	34.10	19.10	7.60
		28	0280	42.00	39.00	19.10	7.60
1.125	0286			41.20	39.50	19.10	7.60
		30	0300	42.70	41.00	19.10	7.60
1.250	0317			44.40	42.40	19.10	7.60
		32	0320	44.40	42.40	19.10	7.60
1.375	0349	35	0350	47.60	45.50	19.10	7.60
1.500	0381	38	0380	53.90	51.80	21.10	8.10
1.750	0444			60.30	58.20	21.10	8.10
1.875	0476			63.50	61.40	21.10	8.10
		50	0050	63.90	61.90	21.10	8.10
2.000	0508			66.60	64.60	22.10	9.60
2.125	0539			73.00	71.00	22.10	9.60
		54	0540	73.90	71.00	22.10	9.60
2.250	0546	55	0550	75.00	72.00	22.10	9.60
		63	0630	83.00	79.30	25.80	9.10
2.500	0635			88.90	79.30	25.80	9.10
2.750	0698			95.20	90.80	25.80	9.10
2.875	0730	73	0730	98.40	94.00	25.80	9.10
		75	0750	100.40	96.00	25.80	9.10
3.000	0762			101.60	96.90	25.80	9.10
		80	0800	104.00	101.00	25.80	9.10
		95	0950	125.00	116.00	25.80	9.10
		100	1000	130.00	121.00	25.80	9.10

TYPE 280L

Inch Shaft Size D	Size Code	D1	D2	L1	L2
16	0160	27.00	27.00	19.10	8.60
20	0200	35.00	31.20	19.10	10.00
22	0220	37.00	33.00	19.10	10.00
24	0240	39.00	34.10	19.10	10.00
25	0250	40.00	36.00	19.10	10.00
28	0280	43.00	39.00	19.10	10.00
30	0300	45.00	41.00	19.10	10.00
32	0320	48.00	42.40	19.10	10.00
33	0330	48.00	44.00	19.10	10.00
35	0350	50.00	45.50	19.10	10.00
38	0380	56.00	51.80	21.10	11.00
40	0400	58.00	53.80	21.10	11.00
43	0430	61.00	56.80	21.10	11.00
45	0450	63.00	58.20	21.10	11.00
48	0480	66.00	61.40	21.10	11.00
50	0500	70.00	61.90	21.10	13.00
55	0550	75.00	72.00	22.10	13.00
60	0600	80.00	77.00	25.80	13.00
63	0630	83.00	79.30	25.80	13.00
65	0650	85.00	82.30	25.80	13.00
70	0700	92.00	87.00	25.80	15.30
75	0750	97.00	96.00	25.80	15.30
80	0800	105.00	101.00	25.80	15.70
85	0850	110.00	106.00	25.80	15.70
90	0900	115.00	111.00	25.80	15.70
95	0950	120.00	116.00	25.80	15.70
100	1000	125.00	121.00	25.80	15.70