



**sterling range**

[www.first4seals.com](http://www.first4seals.com)



**single spring**

**mechanical seal range**

Copyright © 2005 first4seals plc  
DOC / F4S 5018 12/2005

Reference Issue • L - UK - F4SSPRING - 01

first4seals™ is a Trademark of first4seals plc.

first4seals plc recognise all trademarks and trademark names as the property of the owner.

first4seals plc, mount street, bradford, west yorkshire. bd3 9sn united kingdom

Tel: +44 (0) 1274 720775 Fax: +44 (0) 1274 729022

email: [seals@first4seals.com](mailto:seals@first4seals.com) - web: [www.first4seals.com](http://www.first4seals.com)

## TYPE 280W / 280Y & 282 MECHANICAL SEALS

Types 280W, 280Y and 282 are compact section, short working length wave spring seals to suit SSP rotary lobe pumps and Johnson positive displacement pumps

### Benefits

- Stable operation – Robust construction
- Bi-directional – Grub screwed drive on shaft
- Long life – Efficient, non-welded wave spring

All metal parts in Stainless Steel as standard

### Service Capability

- Maximum Speed – 15m/sec\*
- Maximum Pressure – 10 bar\*
- Temperature – -40°C to +200°C
- Media – Dependant on materials

### Materials

- Rotary Face (5) – Stainless Steel
- Stationary Face (6) – Carbon, Tungsten Carbide
- Spring (1) – 316 Stainless Steel
- Metal Parts (2) – 304 Stainless Steel
- Elastomers (3,4) – Nitrile, EP, Viton

### 280W



### 280Y

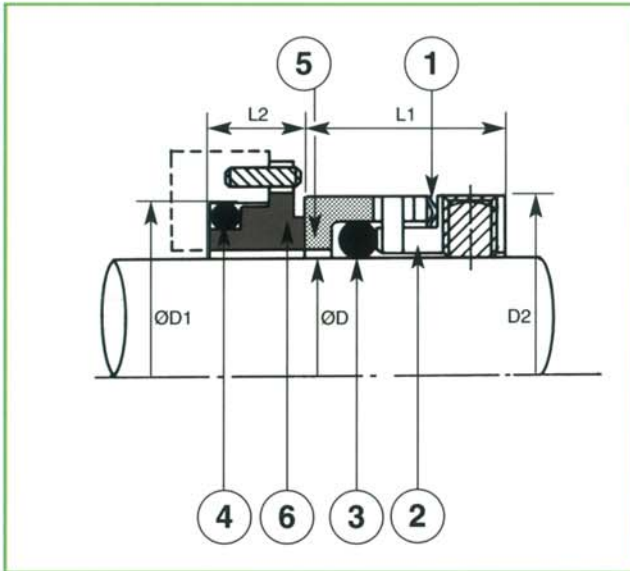


### 282



OTHER MATERIALS AVAILABLE TO SPECIAL ORDER

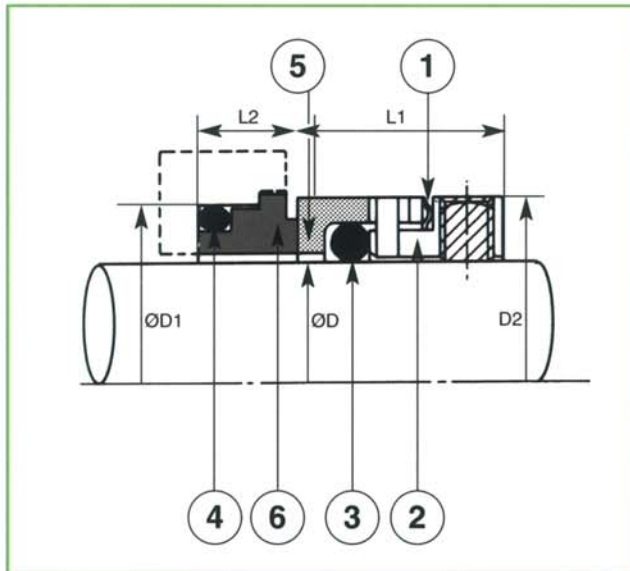
## SEAL TYPE 280W



TYPE 280W

Metric Shaft Size D	Size Code	D1	D2	L1	L2
20	0200	30.00	31.00	19.10	10.70
30	0300	41.00	41.00	19.10	10.90
35	0350	47.00	45.50	21.10	12.20
45	0450	58.00	58.20	21.10	11.60
55	0550	70.00	72.00	22.10	13.00
75	0750	92.00	96.00	25.80	14.50

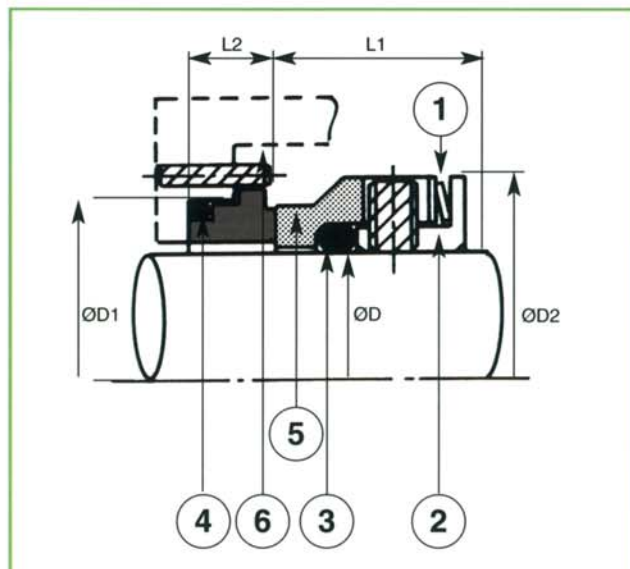
## SEAL TYPE 280Y



TYPE 280Y

Metric Shaft Size D	Size Code	D1	D2	L1	L2
30	0300	40.00	41.00	19.10	9.30
35	0350	44.50	45.50	21.10	9.20
50	0500	62.00	61.90	21.10	10.40
70	0700	85.00	88.90	25.80	14.10
80	0800	95.00	101.00	25.80	16.20

## SEAL TYPE 282



TYPE 282

Metric Shaft Size D	Size Code	D1	D2	L1	L2
20	0200	30.00	32.40	20.00	10.50
30	0300	41.30	44.00	21.40	11.10
35	0350	46.95	50.80	22.00	12.00
45	0450	58.26	62.40	22.90	12.60
55	0550	69.55	76.00	29.30	13.20
75	0750	92.15	99.20	31.10	14.40