



sterling range

www.first4seals.com



single spring

mechanical seal range

Copyright © 2005 first4seals plc
DOC / F4S 5018 12/2005

Reference Issue • L - UK - F4SSPRING - 01

first4seals™ is a Trademark of first4seals plc.

first4seals plc recognise all trademarks and trademark names as the property of the owner.

first4seals plc, mount street, bradford, west yorkshire. bd3 9sn united kingdom

Tel: +44 (0) 1274 720775 Fax: +44 (0) 1274 729022

email: seals@first4seals.com - web: www.first4seals.com

TYPE SR2 MECHANICAL SEALS

Type SR2 seals are part of a family of 'O' Ring mounted mechanical seals and are interchangeable with many other makes. The material combinations shown below are standard. Other materials are available to order.



Benefits

- Self adjusting – 'O' Ring slides along shaft to allow for wear
- Non clogging – Due to open single spring design
- Simple Fitting – Just push onto shaft
- Robust – Due to simple construction

Service Capability

- Maximum Speed – 20 m/sec*
- Maximum Pressure – 10 bar*
- Temperature – -40° to 200°C
- Media – Dependant on materials

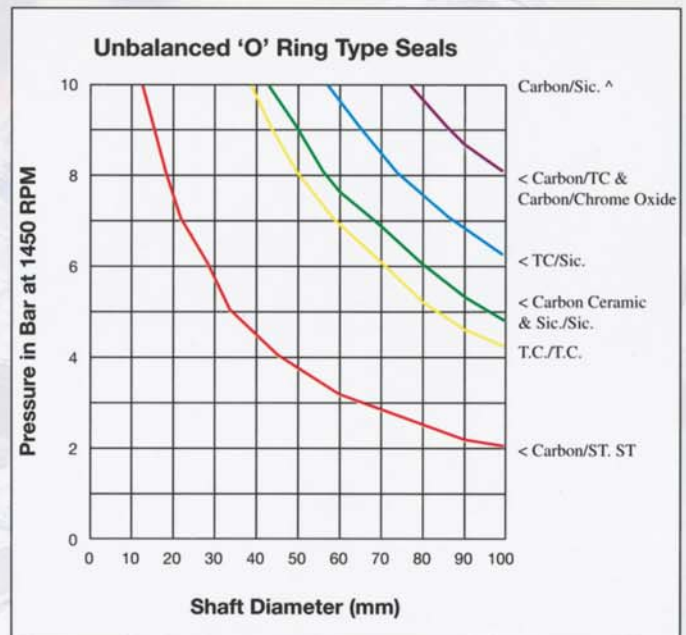
* See P.V. Curves for maximum speed/pressure combination

NOTE

P.V. Curves for water at 20°C

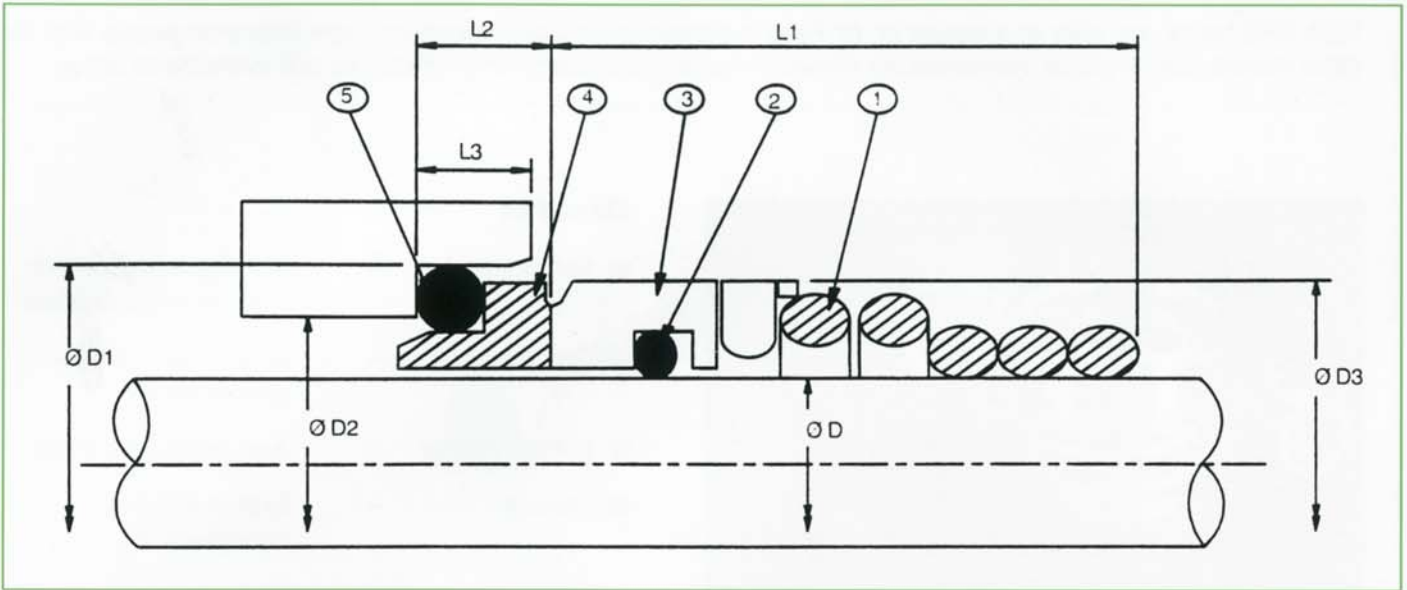
Materials

- Rotary Face (3) – 316 Stainless Steel, 431 Stainless Steel
- Stationary Face (4) – Carbon
- Spring (1) – 304 Stainless Steel
- Elastomers (2, 5) – Nitrile, Viton, E.P.



OTHER MATERIALS AVAILABLE TO SPECIAL ORDER

SEAL TYPE SR2



Ø D METR	SIZE COD	D1 mm	D2 mm	D3 mm	L1 mm	L2 mm	L3 mm
10	0100	18.1	14.0	19.0	15	5.5	4.0
11	0110	20.6	16.5	21.0	18	5.5	4.0
12	0120	20.6	16.5	21.0	18	5.5	4.0
13	0130	23.1	19.0	23.0	22	6.0	4.0
14	0140	23.1	19.0	23.0	22	6.0	4.0
15	0150	26.9	21.0	24.0	22	7.0	5.0
16	0160	26.9	21.0	26.0	23	7.0	5.0
17	0170	26.9	21.0	26.0	23	7.0	5.0
18	0180	30.9	25.0	29.0	24	8.0	5.0
19	0190	30.9	25.0	31.0	25	8.0	5.0
20	0200	30.9	25.0	31.0	25	8.0	5.0
21	0210	35.4	30.0	33.0	25	8.0	5.5
22	0220	35.4	30.0	33.0	25	8.0	5.5
23	0230	35.4	30.0	35.0	27	8.0	5.5
24	0240	35.4	30.0	35.0	27	8.0	5.5
25	0250	38.2	33.0	36.0	27	8.5	5.5
26	0260	38.2	33.0	36.0	27	8.5	5.5
27	0270	38.2	33.0	36.0	27	8.5	5.5
28	0280	43.3	38.0	40.0	29	9.0	5.5
29	0290	43.3	38.0	43.0	30	9.0	5.5
30	0300	43.3	38.0	43.0	30	9.0	5.5
31	0310	43.3	38.0	46.0	30	9.0	5.5
32	0320	43.3	38.0	46.0	30	9.0	5.5
33	0330	53.5	45.0	46.0	39	11.5	7.5
34	0340	53.5	45.0	49.0	39	11.5	7.5
35	0350	53.5	45.0	49.0	39	11.5	7.5
36	0360	53.5	45.0	49.0	39	11.5	7.5
37	0370	53.5	45.0	49.0	39	11.5	7.5

Ø D METR	SIZE COD	D1 mm	D2 mm	D3 mm	L1 mm	L2 mm	L3 mm
38	0380	60.5	52.0	53.0	39	11.5	7.5
39	0390	60.5	52.0	56.0	39	11.5	7.5
40	0400	60.5	52.0	56.0	39	11.5	7.5
41	0410	60.5	52.0	56.0	39	11.5	7.5
42	0420	60.5	52.0	59.0	39	11.5	7.5
43	0430	60.5	52.0	59.0	39	11.5	7.5
44	0440	65.5	57.0	61.0	41	11.5	7.5
45	0450	65.5	57.0	61.0	41	11.5	7.5
46	0460	65.5	57.0	61.0	41	11.5	7.5
47	0470	65.5	57.0	64.0	41	11.5	7.5
48	0480	65.5	57.0	64.0	41	11.5	7.5
49	0490	65.5	57.0	64.0	41	11.5	7.5
50	0500	72.5	64.0	66.0	45	11.5	7.5
55	0550	72.5	64.0	71.0	47	11.5	7.5
60	0600	79.3	72.0	78.0	49	11.5	7.5
65	0650	84.5	77.0	84.0	51	11.5	7.5
70	0700	89.5	82.0	89.6	51	11.5	7.5
75	0750	94.5	87.0	98.0	57	11.5	7.5
80	0800	99.5	92.0	100.0	59	11.5	7.5
85	0850	105.5	98.0	107.5	59	13.5	8.0
90	0900	111.5	105	111.0	62	13.5	8.0
95	0950	116.5	110	119.0	62	13.5	8.0
100	1000	119.5	114	123.8	75	13.5	8.0