



sterling range

www.first4seals.com



single spring

mechanical seal range

Copyright © 2005 first4seals plc
DOC / F4S 5018 12/2005

Reference Issue • L - UK - F4SSPRING - 01

first4seals™ is a Trademark of first4seals plc.

first4seals plc recognise all trademarks and trademark names as the property of the owner.

first4seals plc, mount street, bradford, west yorkshire. bd3 9sn united kingdom

Tel: +44 (0) 1274 720775 Fax: +44 (0) 1274 729022

email: seals@first4seals.com - web: www.first4seals.com

TYPE SU2 MECHANICAL SEALS

Type SU2 seals are part of a family of 'O' Ring mounted mechanical seals and are interchangeable with many other makes. The stationary face has DIN 24960 (I.S.O. 3069), mounting dimension and is available in short or long DIN formats, (see separate data sheet).



Benefits

- Self adjusting – 'O' Ring slides along shaft to allow for wear
- Non clogging – Due to open single spring design
- Simple Fitting – Just push onto shaft
- Robust – Due to simple construction

Service Capability

- Maximum Speed – 20 m/sec*
- Maximum Pressure – 10 bar*
- Temperature – -40° to 200°C
- Media – Dependant on materials

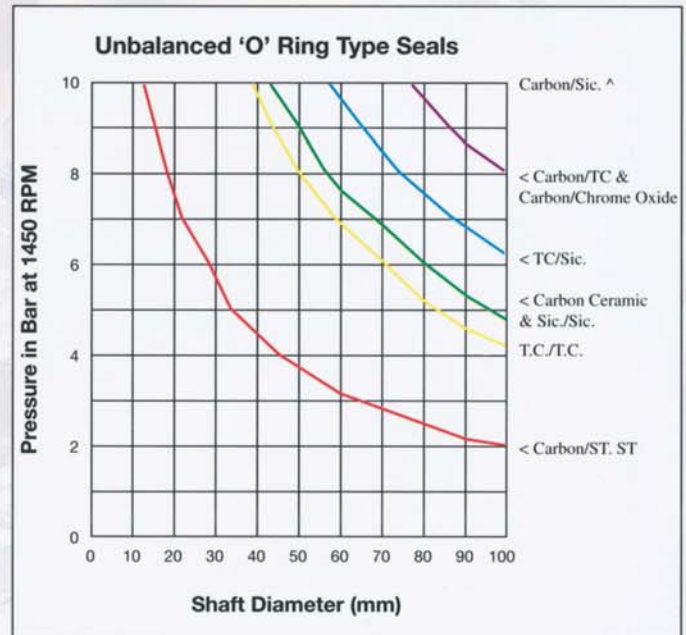
* See P.V. Curves for maximum speed/pressure combination

NOTE

P.V. Curves for water at 20°C

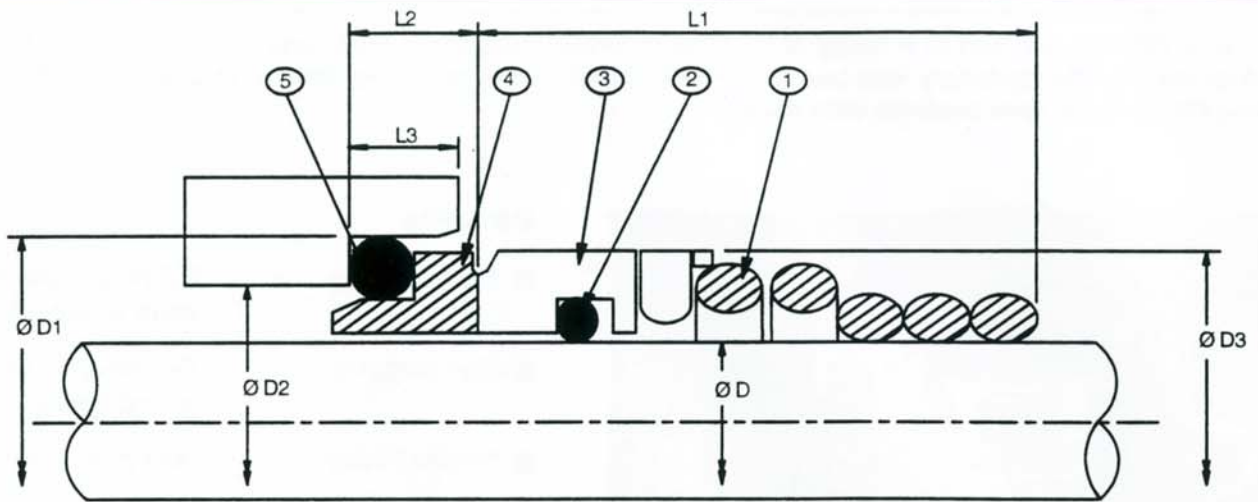
Materials

- Rotary Face (3) – 316 Stainless Steel, 431 Stainless Steel
- Stationary Face (4) – Carbon
- Spring (1) – 304 Stainless Steel
- Elastomers (2, 5) – Nitrile, Viton, E.P.



OTHER MATERIALS AVAILABLE TO SPECIAL ORDER

SEAL TYPE SU2



ØD METRIC	SIZE CODE	D1 mm	D2 mm	D3 mm	L1 mm	L2 mm	L3 mm
10	0100	21.0	17.0	19.0	15.0	7.0	4.0
12	0120	23.0	19.0	21.0	18.0	7.0	4.0
14	0140	25.0	21.0	23.0	22.0	7.0	4.0
16	0160	27.0	23.0	26.0	23.0	7.0	4.0
18	0180	33.0	27.0	29.0	24.0	10.0	5.0
20	0200	35.0	29.0	31.0	25.0	10.0	5.0
22	0220	37.0	31.0	33.0	25.0	10.0	5.0
24	0240	39.0	33.0	35.0	27.0	10.0	5.0
25	0250	40.0	34.0	36.0	27.0	10.0	5.0
28	0280	43.0	37.0	40.0	29.0	10.0	5.0
30	0300	45.0	39.0	43.0	30.0	10.0	5.0
32	0320	48.0	42.0	46.0	30.0	10.0	5.0
33	0330	48.0	42.0	46.0	39.0	10.0	5.0
35	0350	50.0	44.0	49.0	39.0	10.0	5.0
38	0380	56.0	49.0	53.0	42.0	13.0	6.0
40	0400	58.0	51.0	56.0	42.0	13.0	6.0
43	0430	61.0	54.0	59.0	47.0	13.0	6.0
45	0450	63.0	56.0	61.0	47.0	13.0	6.0
48	0480	66.0	59.0	64.0	47.0	13.0	6.0
50	0500	70.0	62.0	66.0	46.0	14.0	6.0
53	0530	73.0	65.0	69.0	56.0	14.0	6.0
55	0550	75.0	67.0	71.0	56.0	14.0	6.0
58	0580	78.0	70.0	76.0	56.0	14.0	6.0
60	0600	80.0	72.0	78.0	56.0	14.0	6.0
63	0630	83.0	75.0	81.0	56.0	14.0	6.0
65	0650	85.0	77.0	84.0	66.0	14.0	6.0
68	0680	90.0	81.0	88.0	64.0	16.0	7.0
70	0700	92.0	83.0	89.6	64.0	16.0	7.0
75	0750	97.0	88.0	98.0	64.0	16.0	7.0
80	0800	105.0	95.0	100.0	72.0	18.0	7.0
85	0850	110.0	100.0	107.5	72.0	18.0	7.0
90	0900	115.0	105.0	111.0	72.0	18.0	7.0
95	0950	120.0	110.0	119.0	72.0	18.0	7.0
100	1000	125.0	115.0	123.8	72.0	18.0	7.0