



sterling range

www.first4seals.com



single spring

mechanical seal range

Copyright © 2005 first4seals plc
DOC / F4S 5018 12/2005

Reference Issue • L - UK - F4SSPRING - 01

first4seals™ is a Trademark of first4seals plc.

first4seals plc recognise all trademarks and trademark names as the property of the owner.

first4seals plc, mount street, bradford, west yorkshire. bd3 9sn united kingdom

Tel: +44 (0) 1274 720775 Fax: +44 (0) 1274 729022

email: seals@first4seals.com - web: www.first4seals.com

TYPE 522 MECHANICAL SEALS

Type 522 Seals are part of a family of Diaphragm Rubber Bellows Seals and are interchangeable with many other makes including Crane Type 502 and 521 and Sealol 043 DIN. The Bellows rotates with the shaft and can accommodate some end float, eccentricity and misalignment. These Seals comply with DIN24960, ISO3069 and BS5257 Housings. They are available with cup mounted, and either short or long DIN O-ring mounted Stationaries. These seals also conform to the L:K length standard



Benefits

- Positive drive – Reduces Bellows Stress
- Self adjusting – Bellows takes care of wear and shaft float
- Long life – Due to minimum face loading
- Non clogging – Due to open single spring design
- Non fretting – No moving O-rings
- Bi-directional – Due to positive drive

All metal parts in Stainless Steel as standard

Service Capability

- Maximum Speed – 15 m/sec*
- Maximum Pressure – 14 bar*
- Temperature – -40° to 200°C
- Media – Dependant on materials

* See P.V. Curves for maximum speed/pressure combination

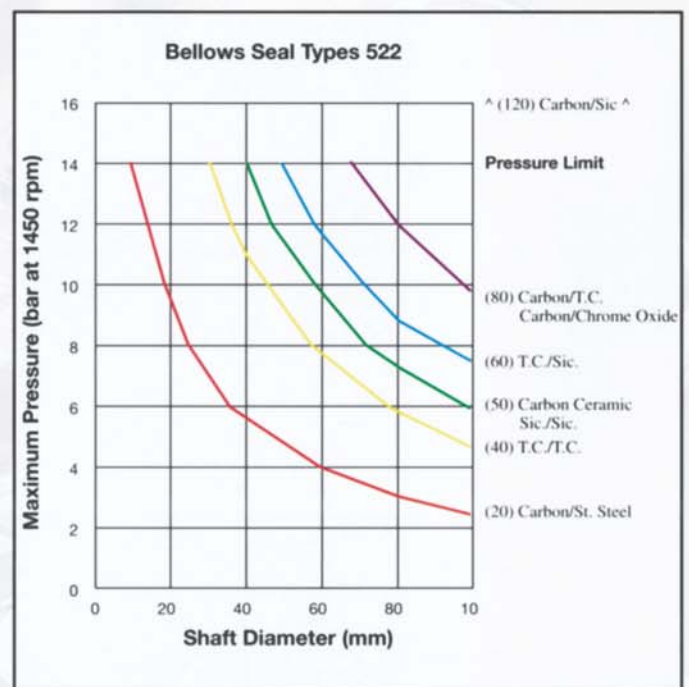
NOTE

P.V. Curves for water at 20°C

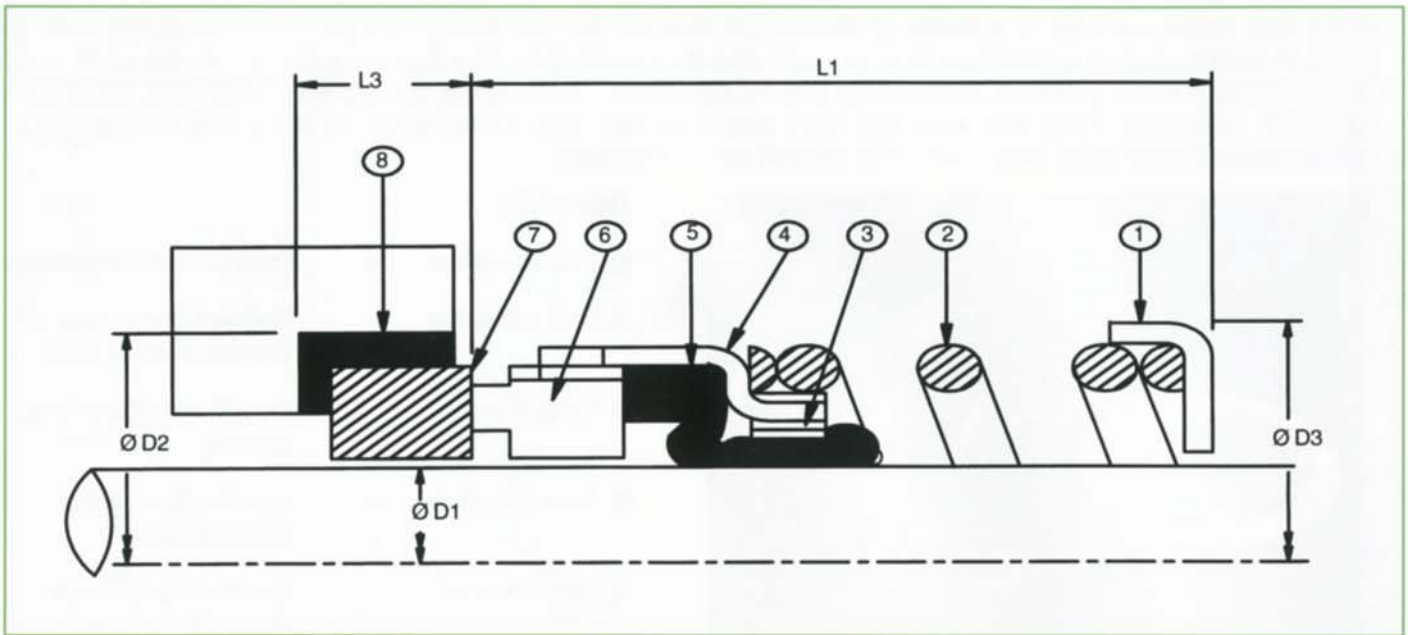
Materials

- Rotary Face (6) – Carbon, reaction bonded Silicon Carbide
- Stationary Face (7) – Ceramic, reaction bonded Silicon Carbide
- Spring (2) – 304 Stainless Steel
- Metal Parts (1, 3, 4) – 316 Stainless Steel
- Elastomers (5, 8) – Nitrile, Viton, E.P.

OTHER MATERIALS AVAILABLE TO SPECIAL ORDER



SEAL TYPE 522



D1 MM	ORDER CODE	D2 mm	D3 mm	L1 mm	L3 mm
12	0120	23.0	21.70	23.9	8.6
14	0140	25.0	23.90	26.4	8.6
16	0160	27.0	26.70	26.4	8.6
18	0180	33.0	30.40	27.5	10.0
20	0200	35.0	33.40	27.5	10.0
22	0220	37.0	33.40	27.5	10.0
24	0240	39.0	38.00	30.0	10.0
25	0250	40.0	39.30	30.0	10.0
28	0280	43.0	42.00	32.5	10.0
30	0300	45.0	43.95	32.5	10.0
32	0320	48.0	45.80	32.5	10.0
33	0330	48.0	45.80	32.5	10.0
35	0350	50.0	49.00	32.5	10.0
38	0380	56.0	52.80	34.0	11.0
40	0400	58.0	55.80	34.0	11.0
43	0430	61.0	58.80	34.0	11.0
45	0450	63.0	61.00	34.0	11.0
48	0480	66.0	64.00	34.0	11.0
50	0500	70.0	66.00	34.5	13.0
53	0530	73.0	70.65	34.5	13.0
55	0550	75.0	71.65	34.5	13.0
58	0580	78.0	78.40	39.5	13.0
60	0600	80.0	78.40	39.5	13.0
63	0630	83.0	81.50	39.5	13.0
65	0650	85.0	84.30	39.5	13.0
68	0680	90.0	89.65	37.2	15.3
70	0700	92.0	89.65	44.7	15.3
75	0750	97.0	96.80	44.7	15.3